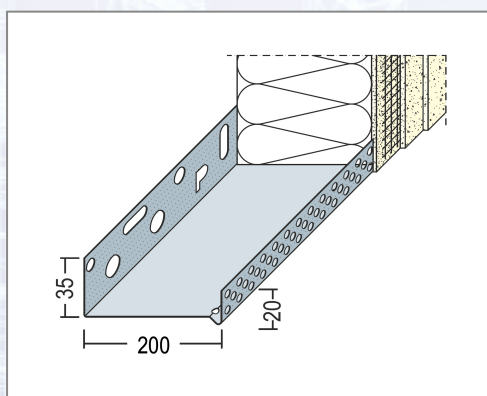


Sokl profili alu za ravne površine PROTEKTOR



Profil U-oblika za WDV sisteme, odgovarajući za fasadne ploče različitih debljina.

| Art.Nr. | Beschreibung | Einheit |
|---------|--|---------|
| Z490820 | Sokl profil WDVS alu 200mm 90820 (9218) 2,50m/štanga, 6štangi/bunt | M |
| Z490818 | Sokl profil WDVS alu 180mm 90818 (9216) 2,50m/štanga, 6štangi/bunt | M |
| Z490814 | Sokl profil WDVS alu 140mm 90814 (9213) 2,50m/štanga, 6štangi/bunt | M |
| Z490816 | Sokl profil WDVS alu 160mm 90816 (9214) 2,50m/štanga, 6štangi/bunt | M |
| Z490603 | Sokl profil WDVS alu 30mm 90603 (9143) 2,50m/štanga, 10štangi/bunt | M |
| Z490604 | Sokl profil WDVS alu 40mm 90604 (9144) 2,50m/štanga, 10štangi/bunt | M |
| Z490605 | Sokl profil WDVS alu 50mm 90605 (9145) 2,50m/štanga, 10štangi/bunt | M |

| | | |
|---------|--|---|
| Z490606 | Sokl profil WDVS alu 60mm 90606 (9146) 2,50m/štanga, 10štangi/bunt | M |
| Z490608 | Sokl profil WDVS alu 80mm 90608 (9148) 2,50m/štanga, 10štangi/bunt | M |
| Z490810 | Sokl profil WDVS alu 100mm 90810 (9150) 2,50m/štanga, 10štangi/bunt | M |
| Z490812 | Sokl profil WDVS alu 120mm 90812 (9212) 2,50m/štanga, 6štangi/bunt | M |

Standorte / Kontakt

GRAZ

Lorencic GmbH Nfg. & Co KG
Puchstraße 208
8055 Graz

Tel.: +43 316 47 25 64-0
Fax: +43 316 47 25 64-77
graz@lorencic.at

WIEN - BRUNN / GEBIRGE

Lorencic GmbH Nfg. & Co KG
Anton-Bruckner-Gasse 20
2345 Brunn/Gebirge

Tel.: +43 2236 37 97 00-0
Fax: +43 2236 37 97 00-75
wien@lorencic.at

SALZBURG - WALS

Lorencic GmbH Nfg. & Co KG
Hölzlstraße 2
5071 Wals

Tel.: +43 662 88 28 26-0
Fax: +43 662 88 28 26-20
salzburg@lorencic.at

KLAGENFURT - EBENTHAL

Lorencic GmbH Nfg. & Co KG
Keplerstraße 2
9065 Ebenthal i.K.

Tel.: +43 463 36 123-0
Fax: +43 463 36 123-17
klagenfurt@lorencic.at

WELS

Lorencic GmbH Nfg. & Co KG
Paracelsusstraße 22
4600 Wels

Tel.: +43 7242 44 07 6-0
Fax: +43 7242 44 07 6-3
wels@lorencic.at

INNSBRUCK - HALL

Lorencic GmbH Nfg. & Co KG
Schlögglstraße 81
6060 Hall i. Tirol

Tel.: +43 5223 43926-0
Fax: +43 5223 43926 6210
innsbruck@lorencic.at